

# SaniServ®



MADE IN USA

## MODEL WB700



**160**  
**FROZEN**  
**COCKTAILS/HR**

## AUTO-FILL SYSTEM FOR CONTINUOUS PRODUCT SUPPLY

The SaniServ® model WB700 Remote Refrigeration Auto-Fill Frozen Beverage Freezer is designed to provide a high volume of frozen beverages through a continuous product source such as: "Bag in the Box" or pre-mixed product supply systems! The WB700 remote refrigeration system is ideal for lowering costly indoor air conditioning operating costs by providing less heat build up while providing quieter operation! the space saving design of the WB700 is a perfect solution to provide countertops with frozen beverages!

# MODEL WB700

## AccuFreeze<sup>®</sup> CONTROL

Job: \_\_\_\_\_

Item No. \_\_\_\_\_



## DESIGNED FOR HIGH VOLUME APPLICATIONS

20 Gallons per Hour - 5 Quart Evaporator Capacity

### Use SaniServ<sup>®</sup> Model WB700 to Create



**Dimensions:** Width (10.3") Depth (26")  
Height (25.7") Weight (105 lbs)

### Electrical Requirements:

115/60/1 = 15 Amps

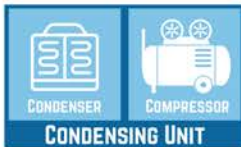
### Serving Estimate:

Up to 160 Frozen Cocktails / hr



### About the WB700

### Cooling Options



We reserve the right to change specifications and product designs without notice. Such revisions do not entitle the buyer to corresponding changes, improvements, additions, or replacements for previously purchased equipment.



## ✓ SUPER SPACE SAVING - *Small Footprint Design*

SaniServ<sup>®</sup> model WB700 offers frozen beverages in the smallest space saving equipment and design available! Owners and operators can turn even the smallest of countertop space into a high profit center while enjoying lower indoor operating costs and providing the frozen beverages customers want!

## ✓ EASY CLEANING AND OPERATION - *Fewer Parts = Simplified Cleaning*

SaniServ<sup>®</sup> equipment is designed and built with the fewest parts to be disassembled, cleaned and sanitized than any other machine in the industry. The state of the art solid-state AccuFreeze<sup>®</sup> control insures product consistency, worry-free operation and customer satisfaction.

## ✓ HIGH RETURN ON INVESTMENT - *Increased Profits*

SaniServ<sup>®</sup> machines combine efficiency with consistent product quality and fast, quiet operation while insuring customer satisfaction with high profit frozen beverages.

## ✓ QUALITY DESIGN - *Durability*

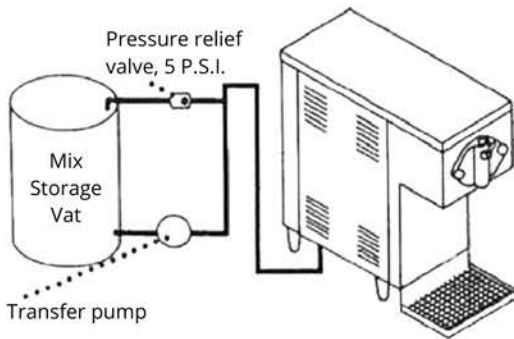
SaniServ<sup>®</sup> machines are built to achieve long and dependable life through simplicity of design. Every machine is shipped standard with a stainless steel exterior, durable steel interior frame construction, heavy-duty components and consistency systems.

# MODEL WB700

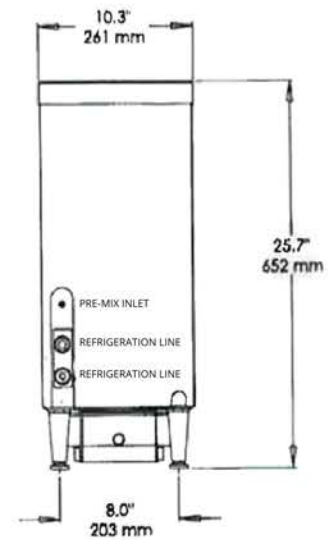
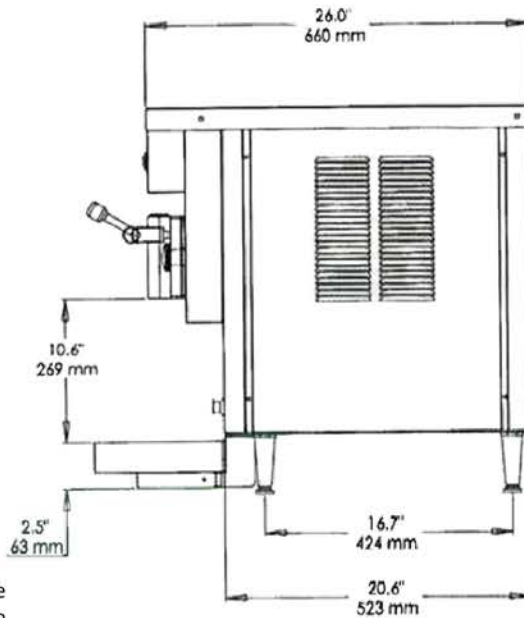
AccuFreeze®  
CONTROL

Minimum Wall Clearance  
Both Sides and Back  
6 inches (152 mm)

These units may interface with existing beer and wine transfer systems by the adding an additional regulator to further reduce the pressure of the normal system.



**Note:** This unit requires remote refrigeration system, not shown



| ELECTRICAL              |    |     |      | WIDTH       | HEIGHT      | DEPTH       | WEIGHT    | VOLUME          |
|-------------------------|----|-----|------|-------------|-------------|-------------|-----------|-----------------|
| VOLTS                   | Hz | Ph. | Amps | INCHES (MM) | INCHES (MM) | INCHES (MM) | LBS. (Kg) | CU FT. (cu. m.) |
| 115                     | 60 | 1   | 15   | 10.3 (261)  | 25.7 (652)  | 26.0 (660)  | 105 (48)  |                 |
| Shipping Specifications |    |     |      | 22.5 (572)  | 36.5 (965)  | 36.5 (927)  | 135 (61)  | 18 (.51)        |

## SPECIFICATIONS

### Dasher Motor:

1/4 HP Dasher

### Refrigerator Type:

R404A

### Listings:

UL, cUL, NSF

### Additional Equipment

#### Required:

Requires a remote condensing unit (condenser & compressor) connected by two refrigeration lines.

## FEATURES

### Evaporator and Mix Reservoir

#### Capacity:

5 Quarts (4.7 liters)

### Dasher:

Heavy-Duty Stainless Steel with low friction scraper blades.

### Controls:

AccuFreeze® solid-state control for accurate product consistency.

### Solid State Audio/Visual Mix Out System with Compressor Lockout

## WARRANTY

### Parts

Compressor

1 year

Not provided

### Options:

Drink Spinner

Tune Up Kit

Machine Stand

Export Voltages