

# SaniServ®

## MODEL 758



MADE IN USA



96  
FROZEN  
COCKTAILS/HR

## TWO DIFFERENT FLAVORS IN ONE MACHINE

The SaniServ® model 758 Countertop Frozen Beverage Freezer can provide two frozen beverage favorites in one machine! With an independent drive system in each side of the machine, product can be easily maintained and/or changed in either side when desired! By offering not one, but two frozen products, owners and operators will ensure every customer stays satisfied and increase their operating profits!

**MODEL  
758**

**AccuFreeze®  
CONTROL**

Job: \_\_\_\_\_

Item No. \_\_\_\_\_

**96  
FROZEN  
COCKTAILS/HR**

## DESIGNED FOR MEDIUM VOLUME APPLICATIONS

6 Gallons per Hour per side - 14 Quart Capacity per side

### Use SaniServ® Model 758 to Create



### Dimensions:

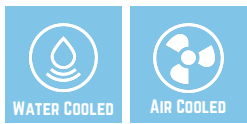
Width (20") Depth (28")  
Height (33.5") Weight (234 lbs)



### About the 758



### Cooling Options



### Electrical Requirements:

115/60/1 = 15 Amps

### Serving Estimate:

Up to 96 Cocktails (48/side) / hr

We reserve the right to change specifications and product designs without notice. Such revisions do not entitle the buyer to corresponding changes, improvements, additions, or replacements for previously purchased equipment.

## ✓ SPACE SAVING - *Small Footprint Design*

SaniServ® model 758 provides two frozen beverage flavors in a counter-top model design. Operators will enjoy the ease of operation and the versatility to offer two different types of frozen beverages that customers desire at the same time!

## ✓ EASY CLEANING AND OPERATION - *Fewer Parts = Simplified Cleaning*

SaniServ® equipment is designed and built with the fewest parts to be disassembled, cleaned and sanitized than any other machine in the industry. The state of the art solid-state AccuFreeze® control ensures product consistency, worry-free operation and customer satisfaction.

## ✓ HIGH RETURN ON INVESTMENT - *Increased Profits*

SaniServ® machines combine efficiency with consistent product quality and fast, quiet operation while insuring customer satisfaction with high profit frozen beverages.

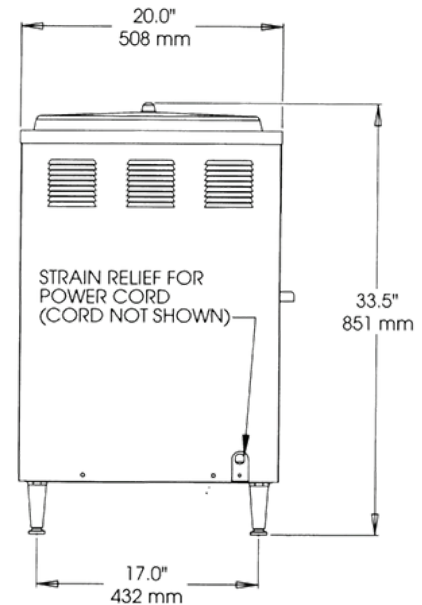
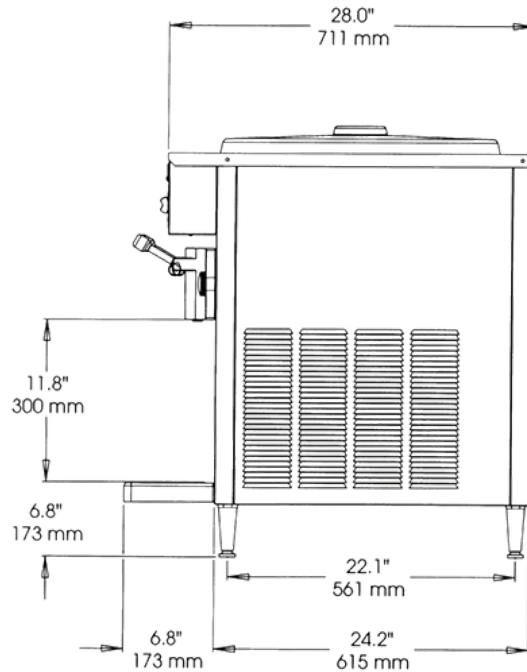
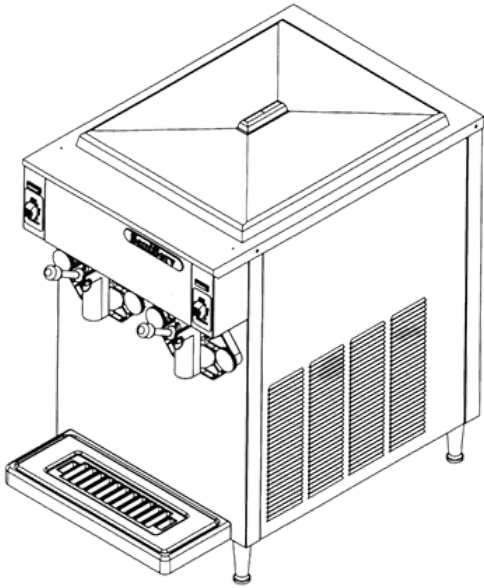
## ✓ QUALITY DESIGN - *Durability*

SaniServ® machines are built to achieve long and dependable life through simplicity of design. Every machine is shipped standard with a stainless steel exterior, durable steel interior frame construction, heavy-duty components and consistency systems.

# MODEL 758

AccuFreeze<sup>®</sup>  
CONTROL

Minimum Wall Clearance  
Both Sides and Back  
6 inches (152 mm)



ELECTRICAL				WIDTH	HEIGHT	DEPTH	WEIGHT	VOLUME
VOLTS	Hz	Ph.	Amps	INCHES (MM)	INCHES (MM)	INCHES (MM)	LBS. (Kg)	CU FT. (cu. m.)
115	60	1	15	20 (508)	33.5 (851)	28 (711)	234 (106)	
Shipping Specifications				31.5 (800)	40.5 (1029)	40.5 (1029)	335 (152)	29.9 (.84)

## SPECIFICATIONS

### Cooling System:

Air or Water

### Dasher and Compressor

#### Motors:

- (2) 1/4 HP Dasher
- (1) 3/4 HP Compressor

### Refrigerator Type:

R404A

### Listings:

UL, cUL, NSF

## FEATURES

### Evaporator and Mix Reservoir

#### Capacity:

14 Quarts (13.2 liters)

#### Dasher:

Heavy-Duty Stainless Steel with low friction scraper blades.

#### Controls:

AccuFreeze<sup>®</sup> solid-state control for accurate product consistency.

### Solid State Audio/Visual Mix Out System with Compressor Lockout

## WARRANTY

Parts	1 year
Compressor	5 years
Evaporator	5 years

#### Options:

- Drink Spinner
- Tune Up Kit
- Syrup Rail
- Auto-fill
- Export Voltages
- Machine Stand