

SaniServ®

MODEL 404



MADE IN USA



420
CONES/HR

GREAT FOR

RESTAURANTS, BUFFETS, & ICE CREAM SHOPS

The SaniServ® model 404 Soft Serve Freezer provides the highest volume of frozen product in a countertop design in the SaniServ® product lineup. The high production and quick recovery time of the 404 insures customers are always supplied with their favorite frozen treats and the ease of operation always makes the 404 a favorite among high volume owners and operators!

MODEL 404

AccuFreeze[®] CONTROL

Job: _____

Item No. _____

 **420**
CONES/HR

DESIGNED FOR MEDIUM VOLUME APPLICATIONS

Seven - 4 oz. Servings per Minute - 20 Quart Capacity

Use SaniServ[®] Model 404 to Create



About the 404



Cooling Options



Dimensions: Width (17") Depth (25.8")
Height (35.5") Weight (250 lbs)

Electrical Requirements:

208-230/60/1 = 30 Amps

208-230/60/3 = 20 Amps

Serving Estimate:

Up to 420 Cones / hr

We reserve the right to change specifications and product designs without notice. Such revisions do not entitle the buyer to corresponding changes, improvements, additions, or replacements for previously purchased equipment.



✓ SPACE SAVING - *Small Footprint Design*

SaniServ[®] model 404 saves valuable floor space and turns the countertop into a real profit center by serving high profit ice cream and yogurt products.

✓ EASY CLEANING AND OPERATION - *Fewer Parts = Simplified Cleaning*

SaniServ[®] equipment is designed and built with the fewest parts to be disassembled, cleaned and sanitized than any other machine in the industry. The state of the art solid-state AccuFreeze[®] control insures product consistency, worry-free operation and customer satisfaction.

✓ HIGH RETURN ON INVESTMENT - *Increased Profits*

SaniServ[®] machines combine efficiency with consistent product quality and fast, quiet operation while insuring customer satisfaction with high profit ice cream or yogurt products.

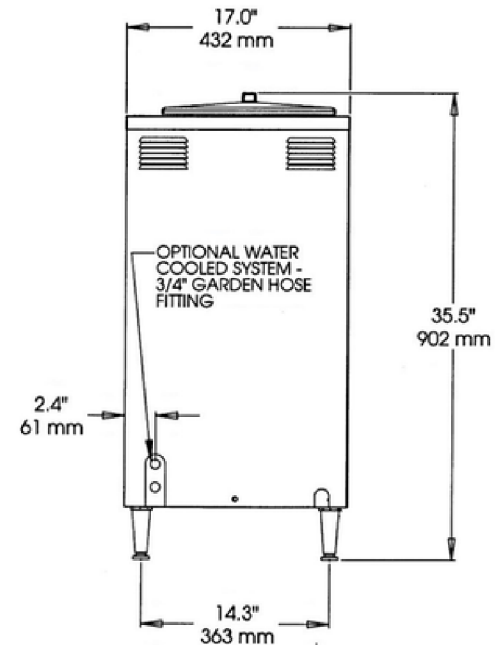
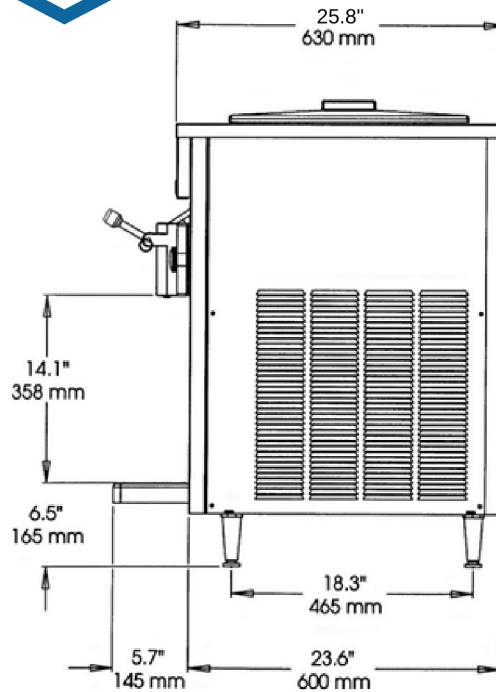
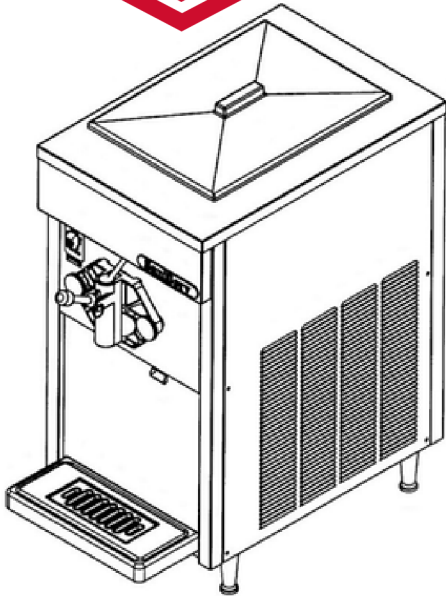
✓ QUALITY DESIGN - *Durability*

SaniServ[®] machines are built to achieve long and dependable life through simplicity of design. Every machine is shipped standard with a stainless steel exterior, durable steel interior frame construction, heavy-duty components and consistency systems.

MODEL 404

AccuFreeze[®] CONTROL

Minimum Wall Clearance
Both Sides and Back
6 inches (152 mm)



ELECTRICAL				WIDTH	HEIGHT	DEPTH	WEIGHT	VOLUME
VOLTS	Hz	Ph.	Amps	INCHES (MM)	INCHES (MM)	INCHES (MM)	LBS. (Kg)	CU FT. (cu. m.)
208-230	60	1	30	17 (432)	35.5 (902)	25.8 (630)	250 (113)	
208-230	60	3	20					
Shipping Specifications				22.5 (572)	41 (1042)	34.5 (876)	285 (130)	18.5 (.53)

SPECIFICATIONS

Cooling System:

Air or Water

Dasher and Compressor

Motors:

1 HP Dasher
2 HP Compressor

Refrigerator Type:

R404A

Listings:

UL, cUL, NSF

FEATURES

Evaporator and Mix Reservoir

Capacity:

20 Quarts (18.9 liters)

Dasher:

Heavy-Duty Stainless Steel with low friction scraper blades.

Controls:

AccuFreeze[®] solid-state control for accurate product consistency.

Tamper Proof Visual Mix Out System with Compressor Lockout

WARRANTY

Parts	1 year
Compressor	5 years
Evaporator	5 years

Options:

- Tune Up Kit
- Counter Top Mounting Pad
- Machine Stand
- Water Cooled - 3/4" Garden Hose Fitting
- Wash Out Kit - 3/8" Flare Fitting